

technology · innovation · diversity · excellence

PULSAtron® Series M

When you consider performance, reliability and cost of ownership, the PULSAtron Series M is the value leader in its category.

Pulsafeeder continues to lead the way with a tradition of quality.

Product contamination and leakage are eliminated by our mechanically actuated diaphragm design. Check valves are easily replaced as a unit to save time. A stroke lock mechanism maintains the accuracy of the stroke setting.

The pump mechanism is housed in a greased, sealed housing for virtually “wear-free” operation. The PULSAtron Series M is built to handle a variety of service requirements in industrial, power generation, water treatment and pulp and paper applications.

Key Market Benefits

- Affordable
- Reliable
- Ease of use and maintenance

Product Specifications

- Pressures to 150 PSI (10 Bar), Flows to 65 GPH (250 LPH)
- Accuracy: $\pm 2\%$
- Ambient Temperature Range: 0°F to 104°F (-18°C to 40°C)
- Motor adapters accept both NEMA and IEC motor frame sizes
- Enclosure rating: NEMA 4/IP55
- Motor HP: ¼ HP (.18kW) and ½ HP (.37kW)
- Motor Speed and Voltage: 1750 RPM, 115/230V, 60 Hz, 1 phase and 1450 RPM, 110/220V, 50 Hz
- Materials of Construction: Housing: Cast Iron, Diaphragm: Teflon faced Hypalon, Liquid end options: PVC, 316SS
- Manual Stroke Length Adjustment with mechanical locking device
- Lubrication: Greased for life
- Each pump is tested to insure capacity and pressure



PULSAtron® Series M

Performance Specifications

Product Selection Table

Model	PSI	BAR	GPH	LPH	SPM	Connections	HP	Hz
LI2	150	10	7	26	44	¼" FNPT/FBSPT	¼	60
LI2	150	10	14	53	88	¼" FNPT/FBSPT	¼	60
LI2	150	10	24	91	150	¼" FNPT/FBSPT	¼	60
LI4	150	10	21	79	58	½" FNPT/FBSPT	½	60
LI4	150	10	40	151	117	½" FNPT/FBSPT	½	60
LI4	150	10	65	250	175	½" FNPT/FBSPT	½	60
LI2	150	10	5.8	22	37	¼" FNPT/FBSPT	¼	50
LI2	150	10	11.7	44	73	¼" FNPT/FBSPT	¼	50
LI2	150	10	20	76	125	¼" FNPT/FBSPT	¼	50
LI4	150	10	17	64	49	½" FNPT/FBSPT	½	50
LI4	150	10	36	136	98	½" FNPT/FBSPT	½	50
LI4	150	10	54	204	146	½" FNPT/FBSPT	½	50

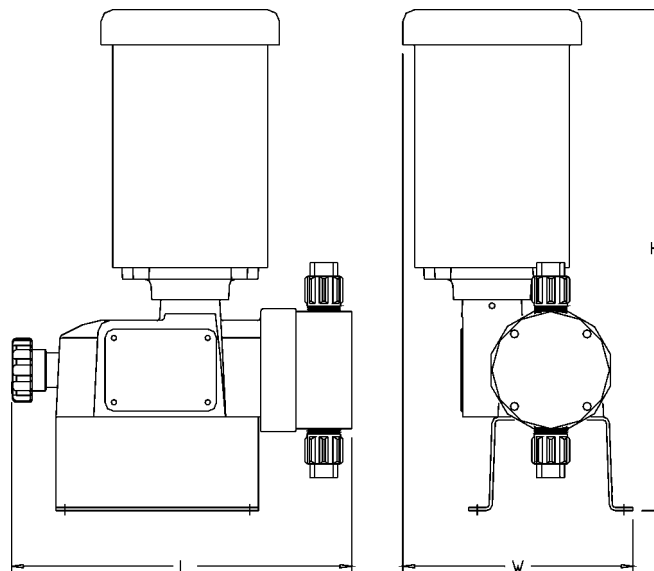
Liquid End Materials

Model	Head	Ball	Seat	Gasket
LI2	PVC	Ceramic	Teflon	PTFE
LI4	PVC	Ceramic	PVC	PTFE
LI2, LI4	316SS	316SS	316SS	PTFE

- Chemically resistant PVC and 316SS offer safe, dependable metering of virtually any process fluid at pressures up to 150 PSIG.
- When equipped with a variable speed drive, the pump will meter in response to any standard electrical input signal.
- The compact design with fewer parts means less maintenance time and lower parts cost.

Approximate Overall Dimensions

	L	H	W	WEIGHT
INCHES	14.50	21.38	9.81	44 LBS.
CENTIMETERS	36.83	54.35	24.92	20 KGS



PSMLI-9-00, REV.0



An ISO Certified Company



A Unit of IDEX Corporation

Engineered Pump Operations

2883 Brighton-Henrietta Town Line Road • Rochester, NY 14623
 TEL (716) 292-8000 • FAX (716) 424-5619
 pulsa@pulsa.com • www.pulsa.com